

PS-410 quick start



PS-410 Startup and Operation

1. Turn the unit ON (power switch located on top of unit ③). The unit briefly displays its firmware version, then displays the default setting.
2. The unit is immediately outputting its default simulation, as shown below:

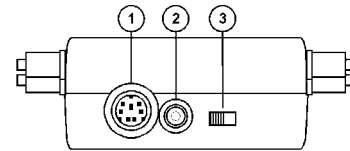
Default settings:

ECG = NSR @ 80 BPM
 NSR QRS = ADULT
 ECG AMPL = 1Mv

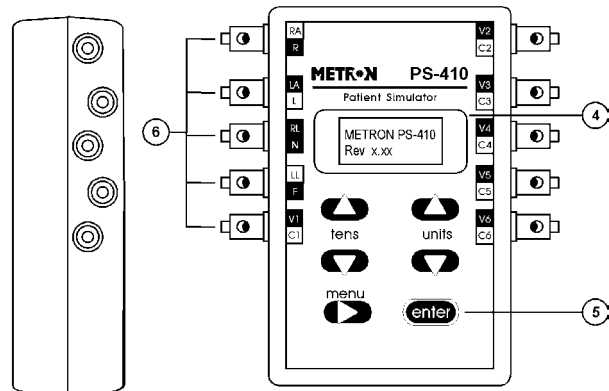
3. Connect ECG leads from the patient monitor to the ECG outputs on the simulator ⑥.
4. Using the **tens** and **units** arrows on the front of the unit, enter the 3 digit code for the simulation you want to output (refer to the label ⑦ on the back of the 410), then press **enter** ⑤. (The selected change will not be activated until the **enter** key is pressed.)
5. The **menu** key can be used to scroll through all available settings.

The PS-410 is powered by one standard 9 volt alkaline battery or a 9VDC, 100mA AC-DC power supply(available from Metron).

PS-410 Top Panel:



PS-410 Front and Side Panels:



PS-410 Back Panel:

